

# KD-140

V-Kick

Owner's Manual

**Roland®**



# USING THE UNIT SAFELY

## INSTRUCTIONS FOR THE PREVENTION OF FIRE, ELECTRIC SHOCK, OR INJURY TO PERSONS

### About ⚠ WARNING and ⚠ CAUTION Notices

<b>⚠ WARNING</b>	Used for instructions intended to alert the user to the risk of death or severe injury should the unit be used improperly.
<b>⚠ CAUTION</b>	Used for instructions intended to alert the user to the risk of injury or material damage should the unit be used improperly. * Material damage refers to damage or other adverse effects caused with respect to the home and all its furnishings, as well to domestic animals or pets.

### About the Symbols

	The ⚠ symbol alerts the user to important instructions or warnings. The specific meaning of the symbol is determined by the design contained within the triangle. In the case of the symbol at left, it is used for general cautions, warnings, or alerts to danger.
	The  symbol alerts the user to items that must never be carried out (are forbidden). The specific thing that must not be done is indicated by the design contained within the circle. In the case of the symbol at left, it means that the unit must never be disassembled.
	The  symbol alerts the user to things that must be carried out. The specific thing that must be done is indicated by the design contained within the circle. In the case of the symbol at left, it means that the power-cord plug must be unplugged from the outlet.

## ALWAYS OBSERVE THE FOLLOWING

### ⚠ WARNING

- Do not open or perform any internal modifications on the unit. (The only exception would be where this manual provides specific instructions which should be followed in order to put in place user-installable options.)
- Do not attempt to repair the unit, or replace parts within it (except when this manual provides specific instructions directing you to do so). Refer all servicing to your retailer, the nearest Roland Service Center, or an authorized Roland distributor, as listed on the "Information" page.
- Never install the unit in any of the following locations.
  - Subject to temperature extremes (e.g., direct sunlight in an enclosed vehicle, near a heating duct, on top of heat-generating equipment); or are
  - Damp (e.g., baths, washrooms, on wet floors); or are
  - Exposed to steam or smoke; or are
  - Subject to salt exposure; or are
  - Humid; or are
  - Exposed to rain; or are
  - Dusty or sandy; or are
  - Subject to high levels of vibration and shakiness.
- Make sure you always have the unit placed so it is level and sure to remain stable. Never place it on stands that could wobble, or on inclined surfaces.

### ⚠ WARNING

- Do not allow any objects (e.g., flammable material, coins, pins); or liquids of any kind (water, soft drinks, etc.) to penetrate the unit.
- In households with small children, an adult should provide supervision until the child is capable of following all the rules essential for the safe operation of the unit.
- Protect the unit from strong impact. (Do not drop it!)

### ⚠ CAUTION

- Try to prevent cords and cables from becoming entangled. Also, all cords and cables should be placed so they are out of the reach of children.
- Never climb on top of, nor place heavy objects on the unit.
- Anything that you've removed, whether it be the knobs that fasten legs, tuning bolts, washers, or wing bolts must be placed in a safe location out of the reach of children, so there's no chance of them being swallowed accidentally.

# IMPORTANT NOTES

## Placement

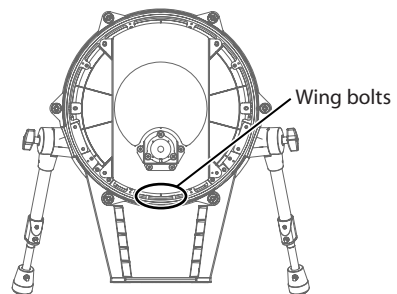
- Do not expose the unit to direct sunlight, place it near devices that radiate heat, leave it inside an enclosed vehicle, or otherwise subject it to temperature extremes. Excessive heat can deform or discolor the unit.
- When moved from one location to another where the temperature and/or humidity is very different, water droplets (condensation) may form inside the unit. Damage or malfunction may result if you attempt to use the unit in this condition. Therefore, before using the unit, you must allow it to stand for several hours, until the condensation has completely evaporated.
- Do not allow rubber, vinyl, or similar materials to remain on the unit for long periods of time. Such objects can discolor or otherwise harmfully affect the finish.

## Maintenance

- For everyday cleaning wipe the unit with a soft, dry cloth or one that has been slightly dampened with water. To remove stubborn dirt, use a cloth impregnated with a mild, non-abrasive detergent. Afterwards, be sure to wipe the unit thoroughly with a soft, dry cloth.
- Never use benzine, thinners, alcohol or solvents of any kind, to avoid the possibility of discoloration and/or deformation.

## Additional Precautions

- Use a reasonable amount of care when using the unit's buttons, sliders, or other controls; and when using its jacks and connectors. Rough handling can lead to malfunctions.
- When connecting / disconnecting all cables, grasp the connector itself—never pull on the cable. This way you will avoid causing shorts, or damage to the cable's internal elements.
- To avoid disturbing your neighbors, try to keep the unit's volume at reasonable levels. You may prefer to use headphones, so you do not need to be concerned about those around you (especially when it is late at night).
- This instrument is designed to minimize the extraneous sounds produced when it's played. However, since sound vibrations can be transmitted through floors and walls to a greater degree than expected, take care not to allow these sounds to become a nuisance to neighbors, especially when performing at night and when using headphones.
- When you need to transport the unit, package it in the box (including padding) that it came in, if possible. Otherwise, you will need to use equivalent packaging materials.
- When changing the head or the covering, avoid touching any parts (except for the wing bolts) located inside the shell. Otherwise, you risk injury to your hands or fingers and damage to this unit's parts.



**Before using this unit, carefully read the sections entitled: "USING THE UNIT SAFELY" (p. 2) and "IMPORTANT NOTES" (p. 3). These sections provide important information concerning the proper operation of the unit. Additionally, in order to feel assured that you have gained a good grasp of every feature provided by your new unit, Owner's manual should be read in its entirety. The manual should be saved and kept on hand as a convenient reference.**

Copyright © 2009 ROLAND CORPORATION

All rights reserved.

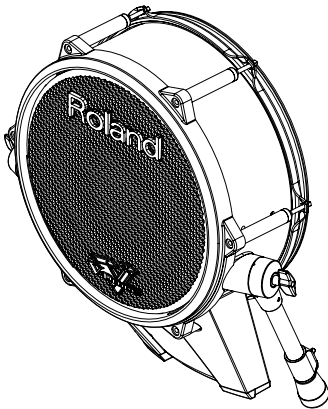
No part of this publication may be reproduced in any form without the written permission of ROLAND CORPORATION.

## Main Features

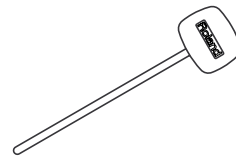
- A kick pad featuring a 14-inch mesh head with excellent playing dynamics and response.
- High-strength one-piece metal frame ensures stability and a very natural playing “feel.”
- Shell covering can be easily replaced for customizing and personalizing the shell design.

## Contents of the Package

### ❑ KD-140 Pad



### ❑ Plastic Beater



### ■ Owner's Manual (this manual)

### ❑ Connection Cable (\*1)

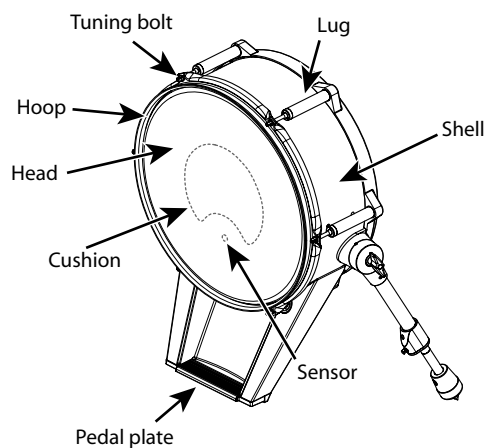
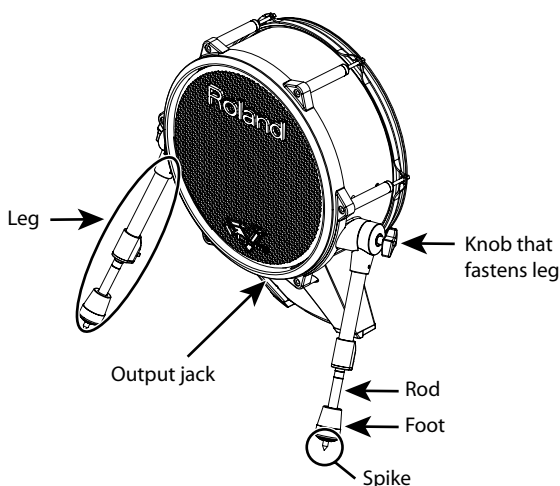
### ❑ Drum Key (\*1)

\*1 Supplied only if the KD-140 has been purchased as an independent unit.

### NOTE

This package does not include a kick pedal. Use with a commercially available kick pedal.

## KD-140 Components



### NOTE

Due to the nature of materials used in the cushion, changes in temperature or humidity may affect the playing dynamics or sensor sensitivity.

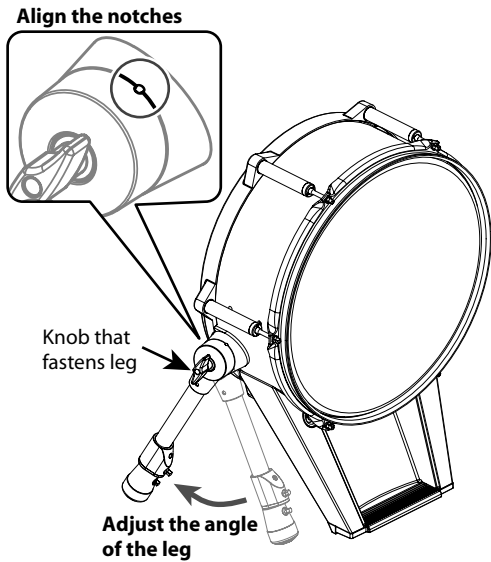
# Assembling the KD-140

## NOTE

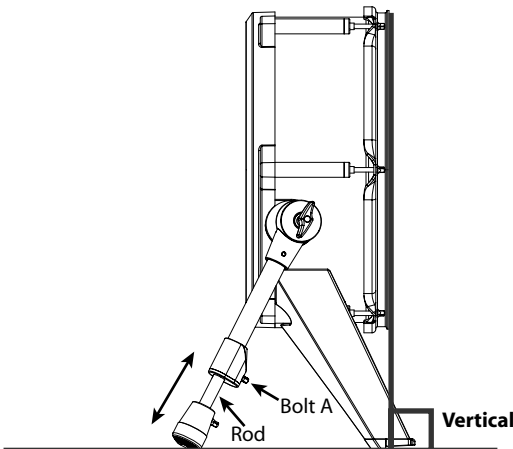
- Each leg's foot has a very sharp spike at the tip. Please handle with care!
- During assembly, take care that the weight of the trigger pad unit does not pinch your hand or foot.

### 1. Loosen the knobs that fasten legs and adjust the angle of the legs.

Align the notches as shown in the illustration.



### 2. Loosen bolt 'A' of the leg, extend the rod, and adjust it so that the unit is approximately vertical relative to the floor.



### 3. Tighten bolt 'A.'

## NOTE

Firmly tighten bolt 'A' so that the rod is securely fastened.

### 4. Adjust the tip of the legs appropriately for the surface on which you're placing the KD-140.

Tip	Floor surface
Spike	Soft floor Rubber mat, carpet, etc.
Rubber	Hard floor V-Drums Mat TDM series (sold separately), wood flooring, concrete, etc.

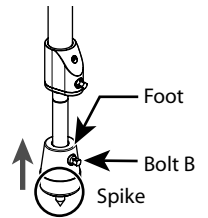
## Adjusting the leg tips

### Using the spike leg tips

#### 1. Loosen the foot bolt 'B.'

#### 2. Move the foot all the way upward, and then tighten bolt 'B.'

The spike will protrude from the foot.



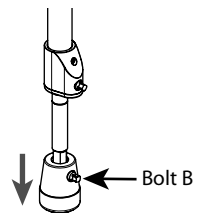
## NOTE

- The tip of the spike is sharp; handle it with care.
- Using the spike leg tips on wood flooring may damage the floor; the rubber leg tips should be used on wood flooring.

### Using the rubber leg tips

#### 1. Loosen the foot bolt 'B.'

#### 2. Move the foot all the way downward, and then tighten bolt 'B.'



### 5. Mount the included plastic beater on the kick pedal.

## NOTE

The mesh head can wear down a felt beater. We recommend using a plastic beater.

## 6. Mounting the kick pedal.

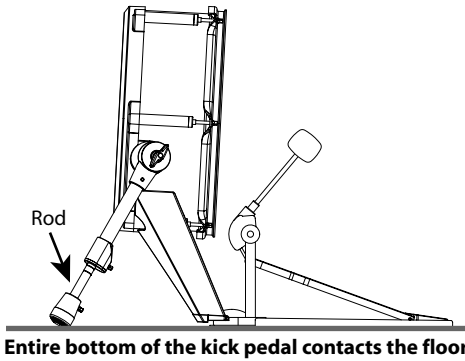
### NOTE

If the hoop and kick pedal touch each other, re-mount the pedal by positioning it more towards yourself.

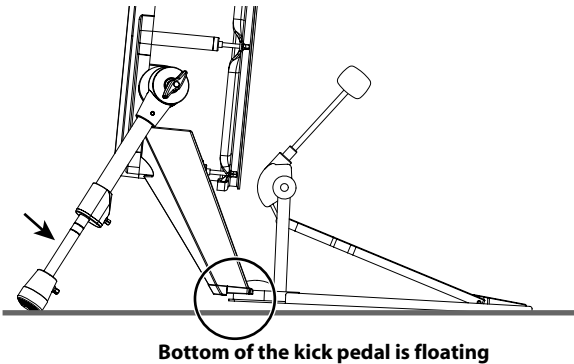
## 7. Adjust the length of the rod.

After mounting kick pedal, adjust the length of the rod so that the entire bottom of the kick pedal is in contact with the floor.

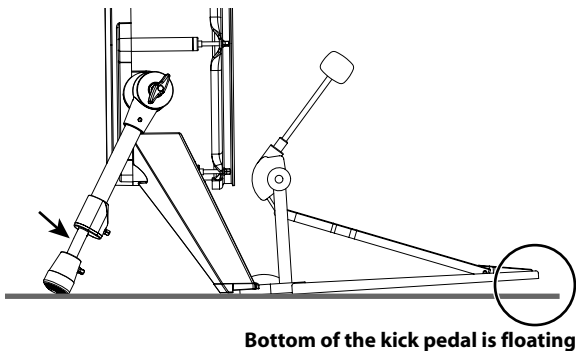
### ○ Correct position



### • Rod is too long



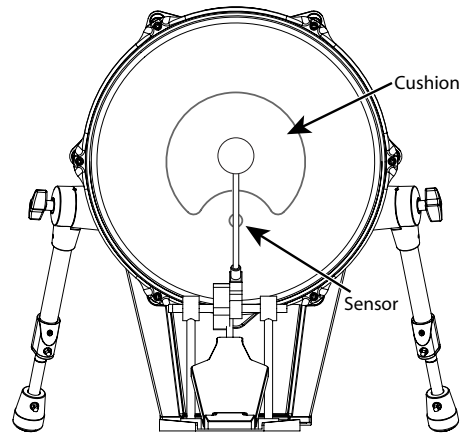
### • Rod is too short



## 8. Adjust the striking point for the beater.

Adjust the length of the beater so that strikes near or on the center of the head.

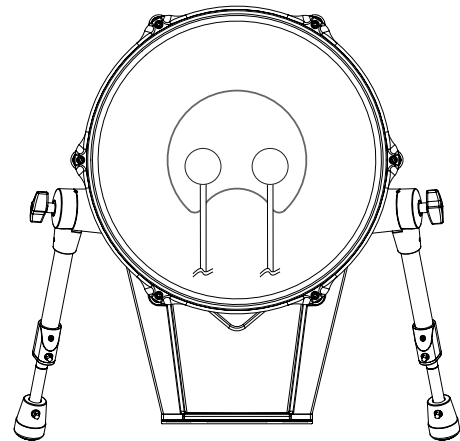
Make sure it does not extend beyond the cushion on the back of the head.



## Using a twin (double kick) pedal

The KD-140 can also be used with a twin (double kick) pedal.

Adjust the striking points of the two beaters so that they are at equal distances to the left and right of the center of the head.



### MEMO

When using a regular pedal or a twin pedal, please use plastic beaters.

# Connecting to a Sound Module

Use the connection cable to connect the KD-140 to your percussion sound module (e.g., TD-20X).

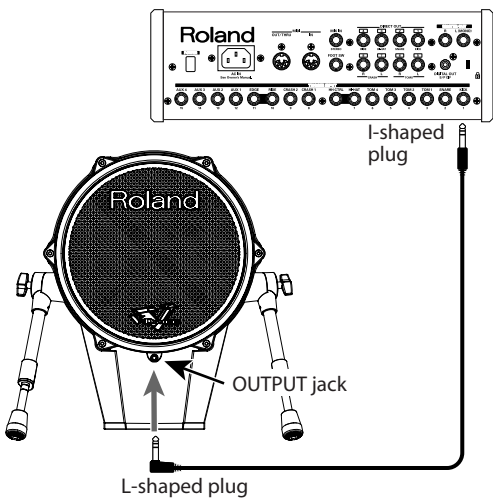
Connect the L-shaped plug of the cable to the KD-140's OUTPUT jack.

Make sure KD-140 does not touch the drum stand or other pads.

**NOTE**

To prevent malfunction and/or damage to speakers or other devices, always turn down the volume, and turn off the power on all devices before making any connections.

**Example: Percussion Sound Module TD-20X**



## Recommended Percussion Sound Module Parameter Settings

Below you will find recommended trigger parameters when using the KD-140 with various sound modules.

You may need to adjust trigger parameters depending on your playing style and playing environment.

TD-20X/TDW-20	
Trigger Type	KD140

TD-20	
Trigger Type	KD120

TD-12	
Trigger Type	KD120

TD-9	
Trigger Type	KD120

TD-4	
Pad Type	KD120

## Adjusting the Head Tension

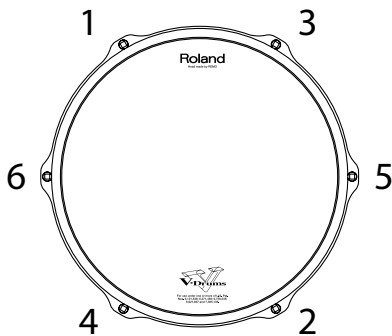
Please tune the head before playing the KD-140.

A slightly looser tuning will make the beater response and rebound similar to that of an acoustic bass drum.

### NOTE

To avoid malfunctions, please observe the following points.

- Adjust the head so that it does not sag.
- Adjust the tuning bolts so that they do not wobble.



- 1. Adjust each tuning bolt little by little, working back and forth across the head in the order shown in the illustration.**

### NOTE

Fully tightening a tuning bolt at only a single location will produce uneven tensioning, which will make it impossible to achieve correct strike response and may also cause malfunctions.

- 2. Adjust each tuning bolt so that the head is tensioned evenly.**

### MEMO

- On the KD-140, adjusting the head tension affects only the strike response of the head; it does not adjust the pitch of the sound as it would on an acoustic drum. To adjust the pitch, edit the sound parameters of your drum sound module. For details, refer to the owner's manual of your sound module.
- The tension of the head will change during extended use. Readjust the tension as necessary.

## Head Replacement

### When to Replace the Head

A drum head does not last forever, may eventually wear out and might need to be replaced if any of the following occurs.

- The head surface is torn
- The head is very worn out at the beater strike point
- Slack portions remain even when head tension is correct

To replace a head, contact your dealer or Roland service center.

### Replacing the Head

### NOTE

- Do not apply excessive force to the sensor and cushion located under the head. Doing so can interfere with accurate detection, and may damage it.
- When replacing the head, avoid touching any parts other than the wing bolts, and be careful that no foreign matter enters the interior of the unit. Otherwise, you risk causing malfunction.

- 1. Remove all tuning bolts.**

Go around and loosen each bolt a little at a time by turning it counter-clockwise.

- 2. Remove the hoop.**

- 3. Remove the old head.**

- 4. Place the new head on the shell.**

- 5. Place the hoop on the head.**

- 6. Install all six tuning bolts.**

- 7. Adjust the tension of the head. Refer to "Adjusting the Head Tension" above.**

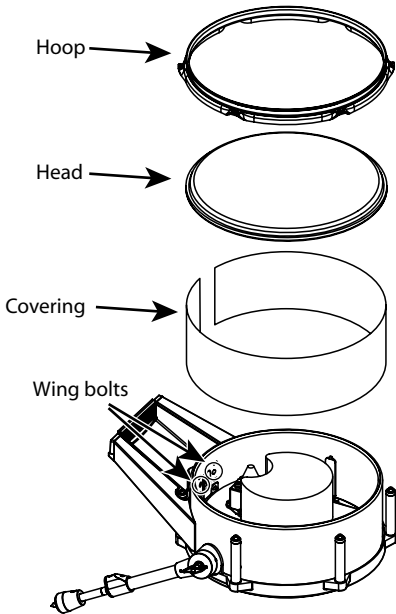


# Replacing the Covering

**NOTE**

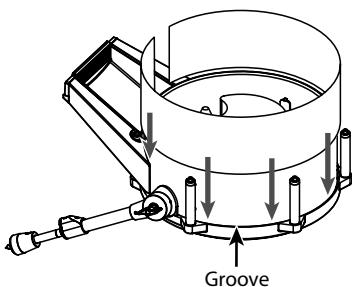
- Do not apply excessive force to the sensor and cushion located under the head. Doing so can interfere with accurate detection, and may damage it.
- When replacing the covering, avoid touching any parts other than the wing bolts, and be careful that no foreign matter enters the interior of the unit. Otherwise, you risk causing malfunction.
- Be careful not to hurt your fingers on the corners or points of the metal parts.

- 1. Loosen all tuning bolts, and remove the hoop and head.**
- 2. Loosen the two wing bolts, and remove the covering.**



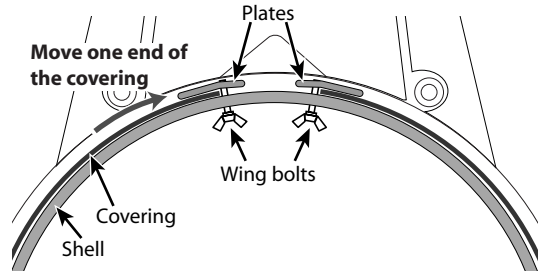
- 3. Insert the new covering.**

Fit the lower part of the covering into the groove so that the covering is not floating or slack.



- 4. Move one end of the covering as far as it will go, and then tighten the wing bolt to securely fasten that end.**

Edge of the covering will fit into the gap between the shell and plate shown in the illustration.



- 5. Pull the other end of the covering so that there is no slack, and then tighten the other wing bolt to securely fasten that end.**

Edge of the covering will fit into the gap between the shell and plate.

- 6. Attach the hoop and head, and tighten the tuning bolts.**
- 7. Adjust the tension of the head. Refer to "Adjusting the Head Tension" (p. 8).**

**NOTE**

Fully tightening a tuning bolt at only a single location will produce uneven tensioning, which will make it impossible to achieve correct strike response and may also cause malfunctions.

## Covering size

- 120 (Width) x 1040 (Length) mm



- Maximum Thickness: 1 mm

# Specifications

## KD-140: V-Kick

<b>Pad Size</b>	14 inches
<b>Dimensions</b>	550 (W) x 320 (D) x 530 (H) mm 21-11/16 (W) x 12-5/8 (D) x 20-7/8 (H) inches
<b>Weights</b>	11.0 kg 24 lbs 5 oz
<b>Accessories</b>	Plastic beater, Owner's manual, Connection cable (*1), Drum key (*1) *1 Supplied only if the KD-140 has been purchased as an independent unit.

### NOTE

In the interest of product improvement, the specifications and/or appearance of this unit are subject to change without prior notice.

**For EU Countries**



**UK** This symbol indicates that in EU countries, this product must be collected separately from household waste, as defined in each region. Products bearing this symbol must not be discarded together with household waste.

**DE** Dieses Symbol bedeutet, dass dieses Produkt in EU-Ländern getrennt vom Hausmüll gesammelt werden muss gemäß den regionalen Bestimmungen. Mit diesem Symbol gekennzeichnete Produkte dürfen nicht zusammen mit dem Hausmüll entsorgt werden.

**FR** Ce symbole indique que dans les pays de l'Union européenne, ce produit doit être collecté séparément des ordures ménagères selon les directives en vigueur dans chacun de ces pays. Les produits portant ce symbole ne doivent pas être mis au rebut avec les ordures ménagères.

**IT** Questo simbolo indica che nei paesi della Comunità europea questo prodotto deve essere smaltito separatamente dai normali rifiuti domestici, secondo la legislazione in vigore in ciascun paese. I prodotti che riportano questo simbolo non devono essere smaltiti insieme ai rifiuti domestici. Ai sensi dell'art. 13 del D.Lgs. 25 luglio 2005 n. 151.

**ES** Este símbolo indica que en los países de la Unión Europea este producto debe recogerse aparte de los residuos domésticos, tal como esté regulado en cada zona. Los productos con este símbolo no se deben depositar con los residuos domésticos.

**PT** Este símbolo indica que nos países da UE, a recolha deste produto deverá ser feita separadamente do lixo doméstico, de acordo com os regulamentos de cada região. Os produtos que apresentem este símbolo não deverão ser eliminados juntamente com o lixo doméstico.

**NL** Dit symbool geeft aan dat in landen van de EU dit product gescheiden van huishoudelijk afval moet worden aangeboden, zoals bepaald per gemeente of regio. Producten die van dit symbool zijn voorzien, mogen niet samen met huishoudelijk afval worden verwijderd.

**DK** Dette symbol angiver, at i EU-lande skal dette produkt opsamles adskilt fra husholdningsaffald, som defineret i hver enkelt region. Produkter med dette symbol må ikke smides ud sammen med husholdningsaffald.

**NO** Dette symbolet indikerer at produktet må behandles som spesialavfall i EU-land, iht. til retningslinjer for den enkelte regionen, og ikke kastes sammen med vanlig husholdningsavfall. Produkter som er merket med dette symbolet, må ikke kastes sammen med vanlig husholdningsavfall.

**SE** Symbolen anger att i EU-länder måste den här produkten kasseras separat från hushållsavfall, i enlighet med varje regions bestämmelser. Produkter med den här symbolen får inte kasseras tillsammans med hushållsavfall.

**FI** Tämä merkintä ilmaisee, että tuote on EU-maissa kerättävä erillään kotitalousjätteistä kunkin alueen voimassa olevien määräysten mukaisesti. Tällä merkinnällä varustettuja tuotteita ei saa hävittää kotitalousjätteiden mukana.

**HU** Ez a szimbólum azt jelenti, hogy az Európai Unióban ezt a terméket a háztartási hulladéktól elkülönítve, az adott régióban érvényes szabályozás szerint kell gyűjteni. Az ezzel a szimbóllummal ellátott termékeket nem szabad a háztartási hulladék közé dobni.

**PL** Symbol oznacza, że zgodnie z regulacjami w odpowiednim regionie, w krajach UE produktu nie należy wyrzucać z odpadami domowymi. Produktów opatrzonych tym symbolem nie można utylizować razem z odpadami domowymi.

**CZ** Tento symbol udává, že v zemích EU musí být tento výrobek sbírán odděleně od domácího odpadu, jak je určeno pro každý region. Výrobky nesoucí tento symbol se nesmí vyhazovat spolu s domácím odpadem.

**SK** Tento symbol vyjadruje, že v krajinách EÚ sa musí zber tohto produktu vykonávať oddelene od domového odpadu, podľa nariadení platných v konkrétnej krajine. Produkty s týmto symbolom sa nesmú vyhazovať spolu s domovým odpadom.

**EE** See sümbol näitab, et EL-i maades tuleb see toode olemprügist eraldi koguda, nii nagu on igas piirkonnas määratletud. Selle sümboliga märgitud tooteid ei tohi ära visata koos olmeprügiga.

**LT** Šis simbolis rodo, kad ES šalyse šis produktas turi būti surenkamas atskirai nuo buitinių atliekų, kaip nustatyta kiekviename regione. Šiuo simboliu paženklinoti produktai neturi būti išmetami kartu su buitiniomis atliekomis.

**LV** Šis simbols norāda, ka ES valstīs šo produktu jāievāc atsevišķi no mājsaimniecības atkritumiem, kā noteikts katrā reģionā. Produkts ar šo simbolu nedrīkst izmest kopā ar mājsaimniecības atkritumiem.

**SI** Ta simbol označuje, da je treba proizvod v državah EU zbirati ločeno od gospodinskih odpadkov, tako kot je določeno v vsaki regiji. Proizvoda tem znakom ni dovoljeno odlagati skupaj z gospodinskimi odpadki.

**GR** Το σύμβολο αυτό υποδηλώνει ότι στις χώρες της Ε.Ε. το συγκεκριμένο προϊόν πρέπει να συλλέγεται χωριστά από τα υπόλοιπα οικιακά απορρίμματα, σύμφωνα με όσα προβλέπονται σε κάθε περιοχή. Τα προϊόντα που φέρουν το συγκεκριμένο σύμβολο δεν πρέπει να απορρίπτονται μαζί με τα οικιακά απορρίμματα.

**For China**

**有关产品中所含有害物质的说明**

本资料就本公司产品中所含的特定有害物质及其安全性予以说明。

本资料适用于 2007 年 3 月 1 日以后本公司所制造的产品。

**环保使用期限**



此标志适用于在中国国内销售的电子信息产品，表示环保使用期限的年数。所谓环保使用期限是指在自制造日起的规定的期限内，产品中所含的有害物质不致引起环境污染，不会对人身、财产造成严重的不良影响。环保使用期限仅在遵照产品使用说明书，正确使用产品的条件下才有效。不当的使用，将会导致有害物质泄漏的危险。

**产品中有毒有害物质或元素的名称及含量**

部件名称	有毒有害物质或元素					
	铅(Pb)	汞(Hg)	镉(Cd)	六价铬(Cr(VI))	多溴联苯(PBB)	多溴二苯醚(PBDE)
外壳(壳体)	×	○	○	○	○	○
电子部件(印刷电路板等)	×	○	×	○	○	○
附件(电源线、交流适配器等)	×	○	○	○	○	○

○：表示该有毒有害物质在该部件所有均质材料中的含量均在 SJ/T11363-2006 标准规定的限量要求以下。

×：表示该有毒有害物质至少在该部件的某一均质材料中的含量超出 SJ/T11363-2006 标准规定的限量要求。

因根据现有的技术水平，还没有什么物质能够代替它。

**For C.A. US (Proposition 65)**

**WARNING**

This product contains chemicals known to cause cancer, birth defects and other reproductive harm, including lead.

# Information

When you need repair service, call your nearest Roland Service Center or authorized Roland distributor in your country as shown below.

## AFRICA

### EGYPT

**Al Fanny Trading Office**  
9, EBN Hagar Al Askalany Street,  
ARD E1 Golf, Heliopolis,  
Cairo 11341, EGYPT  
TEL: (022)-417-1828

### REUNION

**Maison FO - YAM Marcel**  
25 Rue Jules Hermann,  
Chaudron - BP79 97 491  
Ste Clotilde Cedex,  
REUNION ISLAND  
TEL: (0262) 218-429

### SOUTH AFRICA

**T.O.M.S. Sound & Music (Pty)Ltd.**  
2 ASTRON ROAD DENVER  
JOHANNESBURG ZA 2195,  
SOUTH AFRICA  
TEL: (011)417 3400

### Paul Bothner(PTY)Ltd.

Royal Cape Park, Unit 24  
Londonderry Road, Ottery 7800  
Cape Town, SOUTH AFRICA  
TEL: (021) 799 4900

## ASIA

### CHINA

**Roland Shanghai Electronics  
Co.,Ltd.**  
5F. No.1500 Pingliang Road  
Shanghai 200090, CHINA  
TEL: (021) 5580-0800

### Roland Shanghai Electronics Co.,Ltd.

(BEIJING OFFICE)  
10F. No.18 3 Section Anhuaxili  
Chaoyang District Beijing 100011  
CHINA  
TEL: (010) 6426-5050

### HONG KONG

**Tom Lee Music Co., Ltd.** Service  
Division  
22-32 Pun Shan Street, Tsuen  
Wan, New Territories,  
HONG KONG  
TEL: 2415 0911

### Parsons Music Ltd.

8th Floor, Railway Plaza, 39  
Chatham Road South, T.S.T.,  
Kowloon, HONG KONG  
TEL: 2333 1863

### INDIA

**Rivera Digitech (India) Pvt. Ltd.**  
411, Nirman Kendra Mahalaxmi  
Flats Compound Off. Dr. Edwin  
Moses Road, Mumbai-400011,  
INDIA  
TEL: (022) 2493 9051

### INDONESIA

**PT Citra IntiRama**  
Jl. Cideng Timur No. 15J-150  
Jakarta Pusat  
INDONESIA  
TEL: (021) 6324170

### KOREA

**Cosmos Corporation**  
1461-9, Seocho-Dong,  
Seocho Ku, Seoul, KOREA  
TEL: (02) 3486-8855

### MALAYSIA

**Roland Asia Pacific Sdn. Bhd.**  
45-1, Block C2, Jalan PJU 1/39,  
Dataran Prima, 47301 Petaling  
Jaya, Selangor, MALAYSIA  
TEL: (03) 7805-3263

### VIET NAM

**VIET THUONG CORPORATION**  
386 CACH MANG THANG TAM ST.  
DIST.3,  
HO CHI MINH CITY  
VIET NAM  
TEL: 9316540

### PHILIPPINES

**G.A. Yupangco & Co. Inc.**  
339 Gil J. Puyat Avenue  
Makati, Metro Manila 1200,  
PHILIPPINES  
TEL: (02) 899 9801

### SINGAPORE

**SWEET LEE MUSIC COMPANY  
PTE. LTD.**  
150 Sims Drive,  
SINGAPORE 387381  
TEL: 6846-3676

### TAIWAN

**ROLAND TAIWAN ENTERPRISE  
CO., LTD.**  
Room 5, 9fl. No. 112 Chung Shan  
N.Road Sec.2, Taipei, TAIWAN,  
R.O.C.  
TEL: (02) 2561 3339

### THAILAND

**Theera Music Co., Ltd.**  
100-108 Soi Vergn Nakornkasem,  
New Road,Sumpantawongse,  
Bangkok 10100 THAILAND  
TEL: (02) 224-8821

## OCEANIA

### AUSTRALIA/ NEW ZEALAND

**Roland Corporation  
Australia Pty.,Ltd.**  
38 Campbell Avenue  
Dee Why West. NSW 2099  
AUSTRALIA

For Australia  
TEL: (02) 9982 8266  
For New Zealand  
TEL: (09) 3098 715

## CENTRAL/LATIN AMERICA

### ARGENTINA

**Instrumentos Musicales S.A.**  
Av.Santa Fe 2055  
(1123) Buenos Aires  
ARGENTINA  
TEL: (011) 4508-2700

### BARBADOS

**A&B Music Supplies LTD**  
12 Webster Industrial Park  
Wildely, St.Michael, Barbados  
TEL: (246)430-1100

### BRAZIL

**Roland Brasil Ltda.**  
Rua San Jose, 211  
Parque Industrial San Jose  
Cotia - Sao Paulo - SP, BRAZIL  
TEL: (011) 4615 5666

### CHILE

**Comercial Fancy II S.A.**  
Rut.: 96.919.420-1  
Natalini Cox #739, 4th Floor  
Santiago - Centro, CHILE  
TEL: (02) 688-9540

### COLOMBIA

**Centro Musical Ltda.**  
Cra 43 B No 25 A 41 Bododega 9  
Medellin, Colombia  
TEL: (574)3812529

### COSTA RICA

**JUAN Bansch Instrumentos  
Musicales**  
Ave.1. Calle 11, Apartado 10237,  
San Jose, COSTA RICA  
TEL: 258-0211

### CURACAO

**Zeelandia Music Center Inc.**  
Orionweg 30  
Curacao, Netherland Antilles  
TEL:(305)5926866

### DOMINICAN REPUBLIC

**Instrumentos Fernando Giráldez**  
Calle Proyecto Central No.3  
Ens.La Esperilla  
Santo Domingo,  
Dominican Republic  
TEL:(809) 683 0305

### ECUADOR

**Mas Musica**  
Rumichaca 822 y Zaruma  
Guayaquil - Ecuador  
TEL:(593-4)2302364

### EL SALVADOR

**OMNI MUSIC**  
75 Avenida Norte y Final Alameda  
Juan Pablo II,  
Edificio No.4010 San Salvador,  
EL SALVADOR  
TEL: 262-0788

### GUATEMALA

**Casa Instrumental**  
Calzada Roosevelt 34-01,zona 11  
Ciudad de Guatemala  
Guatemala  
TEL:(502) 599-2888

### HONDURAS

**Almacen Pajaro Azul S.A. de C.V.**  
B.O.Paz Barahona  
3 Ave.11 Calle S.O  
San Pedro Sula, Honduras  
TEL: (504) 553-2029

### MARTINIQUE

**Musique & Son**  
Z.I.Les Mangle  
97232 Le Lamantin  
Martinique F.W.I.  
TEL: 596 596 426860

### Gigamusik SARL

10 Rte De La Folie  
97200 Fort De France  
Martinique F.W.I.  
TEL: 596 596 715222

### MEXICO

**Casa Veerkamp, s.a. de c.v.**  
Av. Toluca No. 323, Col. Olivar de  
los Padres 01780 Mexico D.F.  
MEXICO  
TEL: 556 5668-6699

### NICARAGUA

**Bansbach Instrumentos  
Musicales Nicaragua**  
Altamira D'Este Calle Principal  
de la Farmacia 5ta.Avenida  
1 Cuadra al Lago.#503  
Managua, Nicaragua  
TEL: (505)277-2557

### PANAMA

**SUPRO MUNDIAL, S.A.**  
Boulevard Andrews, Allbrook,  
Panama City, REP. DE PANAMA  
TEL: 315-0101

### PARAGUAY

**Distribuidora De Instrumentos  
Musicales**  
J.E. Olear y ESQ. Manduivira  
Asuncion PARAGUAY  
TEL: (595) 21 492147

### PERU

**Audionet**  
Distribuciones Musicales SAC  
Juan Fanning 530  
Miraflores  
Lima - Peru  
TEL: (51) 4461388

### TRINIDAD

**AMR Ltd**  
Ground Floor  
Maritime Plaza  
Barataria Trinidad W.I.  
TEL: (868) 638 6385

### URUGUAY

**Todo Musica S.A.**  
Francisco Acuna de Figueroa  
1771  
C.P.: 11.800  
Montevideo, URUGUAY  
TEL: (02) 924-2335

### VENEZUELA

**Instrumentos Musicales  
Allegro, C.A.**  
Av.Las industrias edf.Guitar import  
#7 zona Industrial de Turumo  
Caracas, Venezuela  
TEL: (212) 244-1122

## EUROPE

### AUSTRIA

**Roland Elektronische  
Musikinstrumente HmbH.**  
Austrian Office  
Eduard-Bodem-Gasse 8,  
A-6020 Innsbruck, AUSTRIA  
TEL: (0512) 26 44 260

### BELGIUM/FRANCE/ HOLLAND/ LUXEMBOURG

**Roland Central Europe N.V.**  
Houtstraat 3, B-2260, Oevel  
(Westerlo) BELGIUM  
TEL: (014) 575811

### CROATIA

**ART-CENTAR**  
Degenova 3.  
HR - 10000 Zagreb  
TEL: (1) 466 8493

### CZECH REP.

**CZECH REPUBLIC DISTRIBUTOR  
s.r.o**  
Votárova 247/16  
CZ - 180 00 PRAHA 8,  
CZECH REP.  
TEL: (2) 830 20270

### DENMARK

**Roland Scandinavia A/S**  
Nordhavnsvej 7, Postbox 880,  
DK-2100 Copenhagen  
DENMARK  
TEL: 3916 6200

### FINLAND

**Roland Scandinavia As, Filial**  
Finland  
Elannontie 5  
FIN-01510 Vantaa, FINLAND  
TEL: (09) 68 24 020

### GERMANY

**Roland Elektronische  
Musikinstrumente HmbH.**  
Oststrasse 96, 22844 Norderstedt,  
GERMANY  
TEL: (040) 52 60090

### GREECE/CYPRUS

**STOLLAS S.A.**  
Music Sound Light  
155, New National Road  
Patras 26442, GREECE  
TEL: 2610 435400

### HUNGARY

**Roland East Europe Ltd.**  
Warehouse Area "DEPO" Pf83  
H-2046 Torokbalint, HUNGARY  
TEL: (23) 511011

### IRELAND

**Roland Ireland**  
G2 Calmount Park, Calmount  
Avenue, Dublin 12  
Republic of IRELAND  
TEL: (01) 4294444

### ITALY

**Roland Italy S. p. A.**  
Viale delle Industrie 8,  
20020 Arese, Milano, ITALY  
TEL: (02) 937-78300

### NORWAY

**Roland Scandinavia Avd.  
Kontor Norge**  
Lilleakerveien 2 Postboks 95  
Lilleaker N-0216 Oslo  
NORWAY  
TEL: 2273 0074

### POLAND

**ROLAND POLSKA SP. Z O.O.**  
ul. Kty Grodziskie 16B  
03-289 Warszawa, POLAND  
TEL: (022) 678 9512

### PORTUGAL

**Roland Iberia, S.L.  
Portugal Office**  
Cais das Pedras, 8/9-1 Dto  
4050-465, Porto, PORTUGAL  
TEL: 22 608 00 60

### ROMANIA

**PBS LINES**  
Piata Libertatii 1,  
535500 Gheorgheni, ROMANIA  
TEL: (266) 364 609

### RUSSIA

**MuTeK**  
Dorozhnaya ul.3,korp.6  
117 545 Moscow, RUSSIA  
TEL: (095) 981-4967

### SLOVAKIA

**DAN Acoustic s.r.o.**  
Povazská 18.  
SK - 940 01 Nové Zámky  
TEL: (035) 6424 330

### SPAIN

**Roland Iberia, S.L.**  
Paseo Garcia Faria, 33-35  
08005 Barcelona SPAIN  
TEL: 93 493 91 00

### SWEDEN

**Roland Scandinavia A/S  
SWEDISH SALES OFFICE**  
Danvik Center 28, 2 tr.  
S-131 30 Nacka SWEDEN  
TEL: (08) 702 00 20

### SWITZERLAND

**Roland (Switzerland) AG**  
Landstrasse 5, Postfach,  
CH-4452 Itingen, SWITZERLAND  
TEL:(061)975-9987

### UKRAINE

**EUHRHYTHMICS Ltd.**  
P.O.Box: 37-a  
Nedecey Str. 30  
UA - 89600 Mukachevo, UKRAINE  
TEL: (03131) 414-40

### UNITED KINGDOM

**Roland (U.K.) Ltd.**  
Atlantic Close, Swansea  
Enterprise Park, SWANSEA  
SA7 9FJ,  
UNITED KINGDOM  
TEL: (01792) 702701

## MIDDLE EAST

### BAHRAIN

**Moon Stores**  
No. 1231&1249 Rumaytha  
Building Road 3931, Manama 339  
BAHRAIN  
TEL: 17 813 942

### IRAN

**MOCO INC.**  
No.41 Nike St., Dr.Sharhiyati Ave.,  
Roberoye Cerahe Mirdamad  
Tehran, IRAN  
TEL: (021)-2285-4169

### ISRAEL

**Haliit P. Greenspoon & Sons  
Ltd.**  
8 Retzif Ha'alila Hashnia St.  
Tel-Aviv-Yafo ISRAEL  
TEL: (03) 6823666

### JORDAN

**MUSIC HOUSE CO. LTD. FREDDY  
FOR MUSIC**  
P. O. Box 922846  
Amman 11192 JORDAN  
TEL: (06) 5692696

### KUWAIT

**EASA HUSAIN AL-YOUSIFI &  
SONS CO.**  
Al-Yousifi Service Center  
P.O.Box 126 (Safat) 13002  
KUWAIT  
TEL: 00 965 802929

### LEBANON

**Chahine S.A.L.**  
George Zeidan St., Chahine Bldg.,  
Achrafieh, P.O.Box: 16-5857  
Beirut, LEBANON  
TEL: (01) 20-1441

### OMAN

**TALENTZ CENTRE L.L.C.**  
Malatan House No.1  
Al Noor Street, Ruwi  
SULTANATE OF OMAN  
TEL: (01) 284 3443

### QATAR

**Al Emadi Co. (Badie Studio &  
Stores)**  
P.O. Box 62, Doha, QATAR  
TEL: 4423-554

### SAUDI ARABIA

**aDawlah Universal Electronics  
APL**  
Behind Pizza Inn  
Prince Turkey Street  
aDawlah Building,  
PO BOX 2154,  
Alkhobar 31952  
SAUDI ARABIA  
TEL: (03) 8643601

### SYRIA

**Technical Light & Sound Center**  
PO BOX 13520 BLDG No.17  
ABDUL WAHAB KANAWATILST  
RAWDA DAMASCUS, SYRIA  
TEL: (011) 223-5384

### TURKEY

**ZUHAL DIS TICARET A.S.**  
Galip Dede Cad. No.37  
Beyoğlu - Istanbul / TURKEY  
TEL: (0212) 249 85 10

### U.A.E.

**Zak Electronics & Musical  
Instruments Co. L.L.C.**  
Zabeel Road, Al Sherooq Bldg.,  
No. 14, Ground Floor, Dubai,  
U.A.E.  
TEL: (04) 3360715

## NORTH AMERICA

### CANADA

**Roland Canada Ltd.**  
(Head Office)  
5480 Parkwood Way Richmond B.  
C., V6V 2M4 CANADA  
TEL: (604) 270 6626

### Roland Canada Ltd.

(Toronto Office)  
170 Admiral Boulevard  
Mississauga On L5T 2N6 CANADA  
TEL: (905) 362 9707

### U. S. A.

**Roland Corporation U.S.**  
5100 S. Eastern Avenue  
Los Angeles, CA 90040-2938,  
U. S. A.  
TEL: (323) 890 3700

**MEMO**

---